

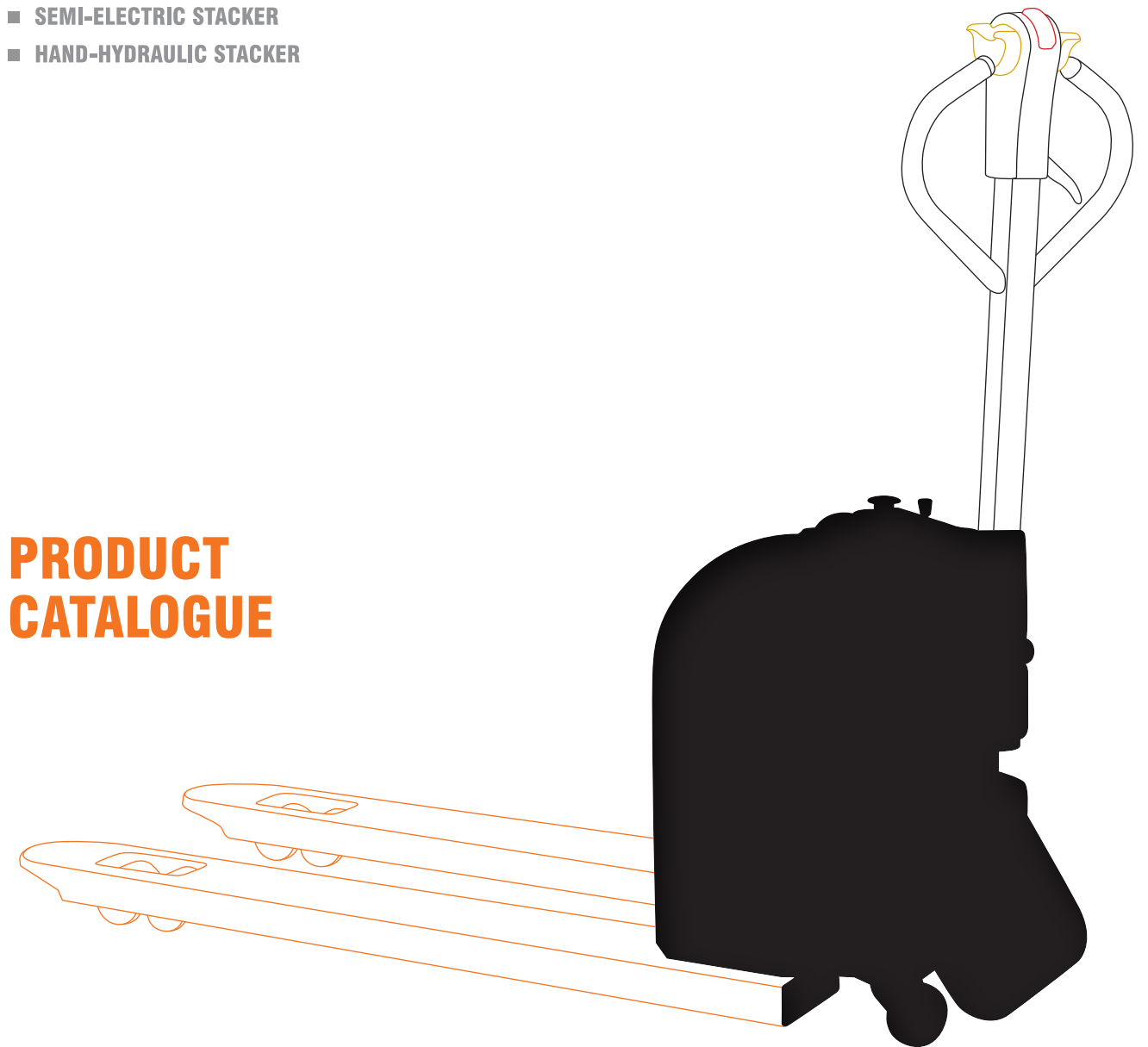


WALSUN MACHINERY

宁波市鄞州沃尔圣机械厂 / NINGBO YINZHOU WALSUN MACHINERY FACTORY

- ELECTRIC PALLER TRUCK
- HAND-HYDRAULIC PALLET TRUCK
- ELECTRIC LIFTING TABLE TRUCK
- ELECTRIC LIFTING PLATFORM
- HAND-HYDAULIC TABLE TRUCK
- SEMI-ELECTRIC STACKER
- HAND-HYDRAULIC STACKER

PRODUCT CATALOGUE



宁波市鄞州沃尔圣机械厂

NINGBO YINZHOU WALSUN MACHINERY FACTORY

Add: NO.4 BangXing Road, MaoShan Industrial Park, JiangShan Town,
YinZhou District, NingBo City, Zhejiang Province, China

MOB: +86-18906612847 / 18668294629

T E L: +86-574-88056287 / 88095385

F A X: +86-574-88098108

<http://www.nb-walsun.com>

Email: shangwei-nb@163.com



WALSUN MACHINERY

宁波市鄞州沃尔圣机械厂 / NINGBO YINZHOU WALSUN MACHINERY FACTORY

COMPANY PROFILE

宁波市鄞州沃尔圣机械厂坐落于宁波市鄞州姜山镇茅山工业区，占地面积 18000 余平方米，现有员工近 120 人，其中工程技术人员 25 人，是一家专业生产和出口手动液压托盘搬运车，电动液压托盘搬运车、平台车、堆高车等多款系列物流提升设备的企业。

本着服务于世界的理念近年来投入大量资金研发新产品，以创新实用型产品设计理论，形成多元化生产格局，以满足不同层次的需求。

本厂以优良的品质，实惠的价格及良好的售后服务，产品远销欧美中东、非洲等 20 多个国家和地区，深受广大客商的好评。

Ningbo Yinzhou Walsun Machinery Factory is located in Maoshan Industrial Park, Jiangshan Town, Yinzhou, Ningbo City. It covers an area of 18,000 square meters and has nearly 120 employees, including 25 engineers and technicians. It is a professional manufacturer and exporter of manual hydraulic pallet trucks, electric hydraulic pallet trucks, table trucks, stackers, and other series of logistics equipment.

In the spirit of serving the world, we have invested a large amount of money in research and development of new products in recent years, and adopted a theory of innovative and practical product design to form a diversified production pattern to meet the needs of customers at different levels.

With excellent quality, affordable price and good after-sales service, our products are exported to more than 20 countries and regions such as Europe, America, Middle East and Africa, and are well received by customers.

CE / ISO9001:2015

PRODUCT LIST

- ELECTRIC PALLET TRUCK
- HAND-HYDRAULIC PALLET TRUCK
- ELECTRIC LIFTING TABLE TRUCK
- ELECTRIC LIFTING PLATFORM
- HAND-HYDRAULIC TABLE TRUCK
- SEMI-ELECTRIC STACKER
- HAND-HYDRAULIC STACKER



ELECTRIC PALLET TRUCK



手柄机构

- 1、手柄操作机构带电量显示使用时间显示
- 2、陀螺仪芯片
- 3、紧急反向功能
- 4、低电压故障报警灯
- 5、电动上升也可手动上升，手动下降

1. the handle operating mechanism with power display time display
2. gyroscope chip
3. emergency reverse function
4. low voltage fault warning light
5. electric rise can also be manually raised, manual drop

驱动器

- 1、无刷电机三年内免维护；
- 2、节能电机输入电流小，对电池冲击小；
- 3、强劲动力，超高扭矩；
- 4、发明专利齿轮，不用加润滑油；
- 5、噪声低小于 70bd；
- 6、满载爬坡能力大于 6%。

1. The brushless motor is maintenance-free within three years;
2. The input current of the energy-saving motor is small, and the impact on the battery is small;
3. strong power, super high torque;
4. Invent the patented gear without adding lubricating oil;
- 5, the noise is less than 70bd;
- 6, full load climbing ability is greater than 6%.



锂电池 / 控制系统



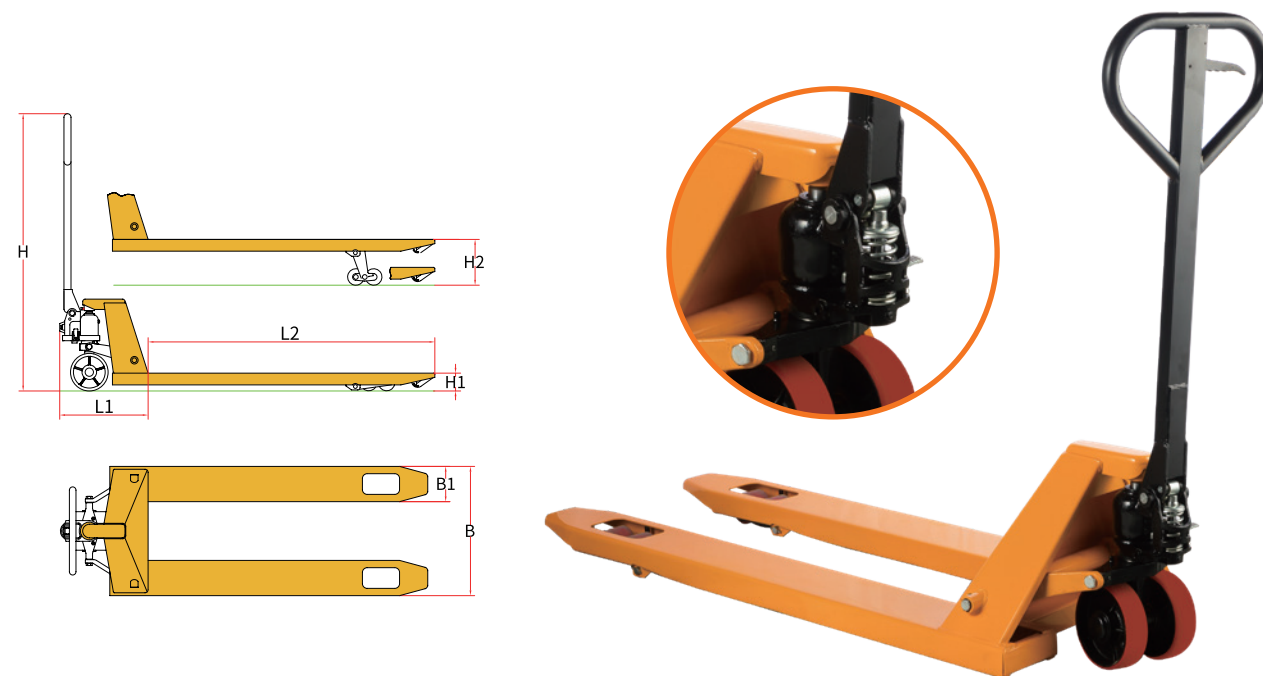
技术参数 Specifications

1.2 型号 Model		CBD15T	
特性 Characteristic	1.3 动力形式 (电动、手动) Power form (electric, manual)		电动
	1.4 操作类型 Operation type		步行式
	1.5 额定载荷 Rated load	Q (Kg)	lbs 1500
	1.6 载荷中心距 Load center distance	C(mm)	In 600
	1.8 承载长度 Carrying length	X(mm)	In 920
	1.9 轴距 Wheelbase	Y (mm)	In 1262
重量 Weight	2.1 含电池 Battery included	kg	lbs 135/145
	2.2 满载时驱动轮 / 承载端 Drive wheel/bearer at full load	kg	lbs 550/1100
	2.3 空载时驱动轮 / 承载端 Drive wheel/bearer at no load	kg	lbs 90/40
轮子、底盘 Wheel / Chassis	3.1 轮子类型 Wheel type		聚氨酯 (PU)
	3.2 驱动轮尺寸 (直径 × 宽度) Drive wheel size (diameter x width)	ΦXW(mm)	In Φ210x70
	3.3 承载轮尺寸 (直径 × 宽度) Bearing wheel size (diameter x width)	ΦXW(mm)	In 2xΦ80x70
	3.4 平衡轮尺寸 Balance wheel size	ΦXW(mm)	In Φ75x50
	3.5 驱动轮、平衡轮 / 承载轮 (x= 驱动轮) Drive wheel, balance wheel / load wheel (x= drive wheel)		1×/4(1×/2)
	3.6 前轮距, 驱动端 Front track, drive end	b10(mm)	In /
	3.7 后轮距, 承载端 Rear track	b11(mm)	In 400/525
尺寸 Size	4.4 最大提升高度 Maximum lifting height	h3(mm)	In 115
	4.9 作业时手柄高度, 最小 / 最大 Handle height during operation, min/max	h14(mm)	In 680/1320
	4.15 货叉降低时高度 Height when the fork is lowered	h13(mm)	In 75
	4.19 总体长度 Overall length	l1(mm)	In 1652
	4.2 到货叉垂直面长度 To the vertical length of the fork	l2(mm)	In 442
	4.21 车体宽度 Body width	b1/b2(mm)	In 560/685
	4.22 货叉尺寸 Fork size	s/e/l(mm)	In 50/160/1150
	4.25 货叉外宽 Outer fork width	b5(mm)	In 560/685
	4.32 轴距中心最小离地间隙 Minimum ground clearance at the center of the wheelbase	m2(mm)	In 25
	4.34.1 托盘为 1000 宽 x1200 长的通道宽度 The tray is 1000 wide x 1200 long channel width	Ast (mm)	In 1980
	4.34.2 托盘为 800 宽 x1200 长的通道宽度 The tray is 800 wide x 1200 long channel width	Ast(mm)	In 1880
	4.35 最小转弯半径 Minimum turning radius	Wa(mm)	In 1422
性能 Performance	5.1 行驶速度, 满载 / 空载 Driving speed, full load / no load	km/h	mph 4/4.5
	5.2 提升速度, 满载 / 空载 Increase speed, full load / no load	m/s	fpm
	5.3 下降速度, 满载 / 空载 Falling speed, full load / no load	m/s	fpm
	5.8 最大爬坡能力, 满载 / 空载 Maximum climbing ability, full load / no load	%	5/15
	5.1 行车制动 Service brake		电磁制动
电机、动力源 Motor Power Source	6.1 驱动电机功率 S2 60min Drive motor power S2 60min	KW	Hp 0.85
	6.2 提升电机功率 S3 15% Increase motor power S3 15%	KW	Hp
	6.3 电池尺寸 (长 * 宽 * 高) Battery size (L * W * H)	mm	In
	6.4 电池电压 / 额定容量 Battery voltage / rated capacity	V/Ah	48/15
	6.5 锂电池重量 Lithium battery weight	Kg	lbs
其它数据 Other data	8.1 驱动控制类型 Drive control type		DC
	8.4 驾驶员耳边噪音等级符合 DIN Driver's ear noise level in accordance with DIN	db(A)	≤ 70
	8.5 转向类型 Steering type		手动机械

注: 1) 可选货叉长度: 800、900、1000、1150、1220mm
 2) 锂电池可选 15Ah/18Ah/20Ah
 3) 驱动轮可选配小金刚
 4) 表格内参数都是标准模型数据, 如需更多信息请联系我们; 参数如有变更, 恕不另行通知。

Note: 1) Optional fork length: 800, 900, 1000, 1150, 1220mm
 2) Lithium battery optional 15Ah/18Ah/20Ah
 3) The drive wheel can be equipped with Xiaojingang
 4) The parameters in the table are standard model data. Please contact us for more information; the parameters are subject to change without notice.

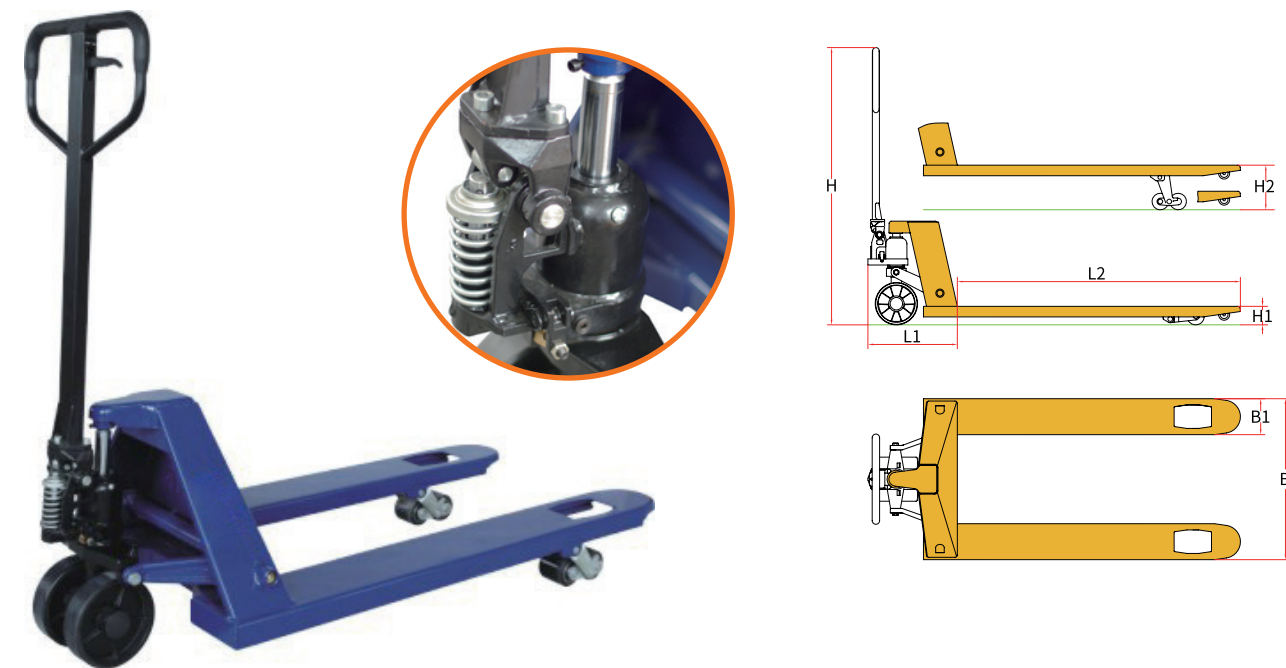
HAND-HYDRAULIC PALLET TRUCK - MODEL DB SERIES



技术参数 Specifications

技术参数 Specifications		
型号 Model		
载重 Load Capacity	kg	2000/ 2500
最低高度 Lowest Fork Height	mm	75
最大提升高度 Maximum Fork Height (H2)	mm	190
全宽度 (Outside Fork Spread (B))	mm	520/550/685
叉子长度 Length of the Fork (L2)	mm	900/1150/1220
叉子宽度 Width of the Fork (B1)	mm	152x55
头部长度 Head Length (L1)	mm	380
前轮直径 Dia. Of the Front Wheel	mm	单 Single Φ 70x80 / 双 double Φ 70x60
后轮直径 Dia.Of the Steering Wheel	mm	Φ 160x50
轮子材料 Material Of the Wheel	Nylon/Polyurethane/Rubber	
手柄高度 (mm)Height of handle from the ground(H)	mm	1180
自重 Net Weight	kg	550Nylon-55kg / 685Nylon-59kg 550PU-59kg / 685PU-63kg
20" 集装箱装箱数 Q' ty in one 20' Container	550 180 pcs / 685 144 pcs	
40" 集装箱装箱数 Q' ty in one 20' Container	550 318 pcs / 685 288pcs	

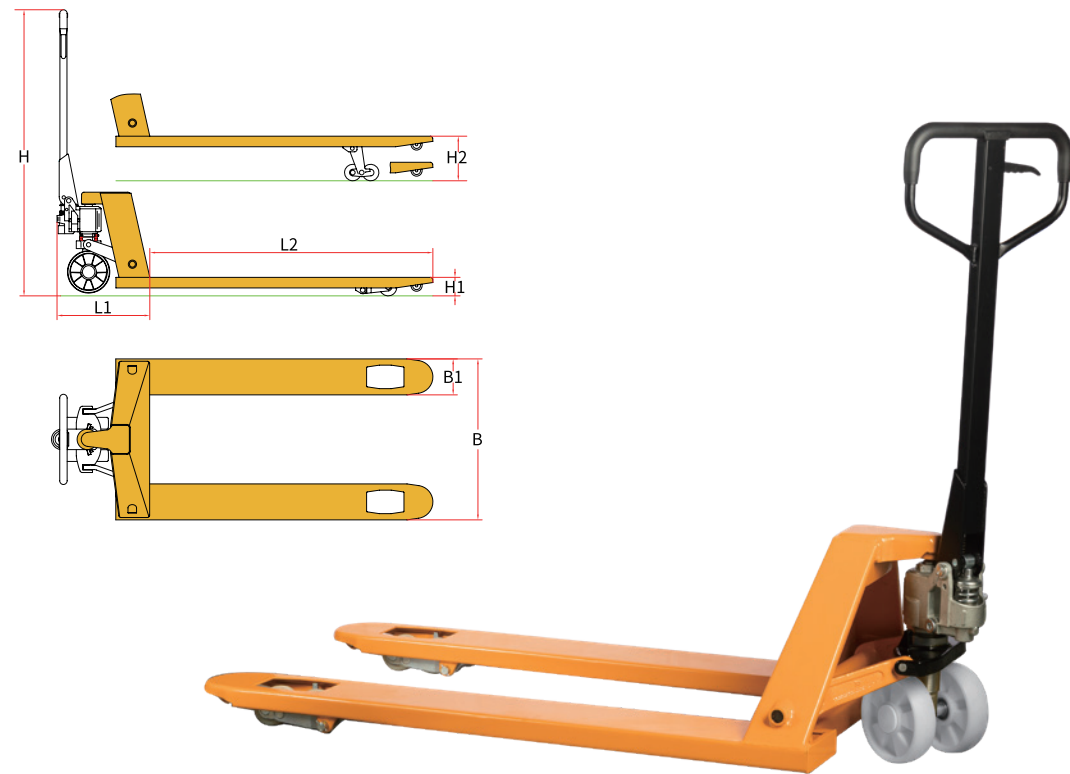
HAND-HYDRAULIC PALLET TRUCK - MODEL DF SERIES



技术参数 Specifications

技术参数 Specifications							
型号 Model			DF20	DF25	DF30		
载重 Load Capacity	kg		2000	2500	3000		
最低高度 Lowest Fork Height	mm		85	75	85	75	85
最大提升高度 Maximum Fork Height (H2)	mm		200	190	200	190	200
全宽度 Outside Fork Spread (B)	mm		550/685				
叉子长度 Length of the Fork (L2)	mm		800/900/1000/1067/1100/1150/1220				
叉子宽度 Width of the Fork (B1)	mm		160x50				
头部长度 Head Length (L1)	mm		370				
前轮直径 (mm)Dia. Of the Front Wheel	Single double		Φ 80x93 Φ 80x70	Φ 74x93 Φ 74x70	Φ 80x93 Φ 80x70	Φ 74x93 Φ 74x70	Φ 80x93 Φ 80x70
后轮直径 Dia.Of the Steering Wheel	mm		Φ 200x50	Φ 180x50	Φ 200x50	Φ 180x50	Φ 200x50
轮子材料 Material Of the Wheel	Nylon/Polyurethane/Rubber						
手柄高度 Height of handle from the ground(H)	mm		1230				
自重 Net Weight	kg		550 Single Nylon-66kg / double Nylon-67kg / 550 Single Pu-70kg / double PU-73kg / 685 Single Nylon-71kg / double Nylon-72kg / 685 Single PU-75kg / double PU-78kg				
20" 集装箱装箱数 Q' ty in one 20' Container			550 180 pcs / 685 144 pcs				

HAND-HYDRAULIC PALLET TRUCK - MODEL CBY-BF SERIES



技术参数 Specifications

型号 Model	CBY-BF	
载重 Load Capacity	kg	1500/2000/ 2500/3000
最低高度 Lowest Fork Height	mm	85
最大提升高度 Maximum Fork Height (H2)	mm	200
全宽度 Outside Fork Spread (B)	mm	540/685
叉子长度 Length of the Fork (L2)	mm	1150/1220
叉子宽度 Width of the Fork (B1)	mm	160x50
头部长度 Head Length (L1)	mm	395
前轮直径 Dia. Of the Front Wheel	mm	单 Single Φ80x93 / 双 double Φ80x70
后轮直径 Dia.Of the Steering Wheel	mm	Φ180x50
轮子材料 Material Of the Wheel		Nylon/Polyurethane/Rubber
手柄高度 Height of handle from the ground(H)	mm	1230
自重 Net Weight	kg	540Nylon-72kg / 685Nylon-80kg 540PU-80kg / 685PU-88kg
20' 集装箱装箱数 Q' ty in one 20' Container		540 180 pcs / 685 144 pcs

HAND-HYDRAULIC PALLET TRUCK - WIDEN SERIES



技术参数 Specifications

型号 Model		WS1500	WS2000	WS2500
最低高度 Lowest Fork Height	mm	85	85	85
最大提升高度 Maximum Fork Height	mm	200	200	200
载重 Load Capacity	kg	1500	2000	2500
全宽度 Outside Fork Spread	mm	1000	1000	1000
叉子长度 Length of the Fork	mm	1200	1200	1200
叉子宽度 Width of the Fork	mm	160x50		
前轮直径 Dia. Of the Front Wheel	mm	双 double Φ80x70		
后轮直径 Dia.Of the Steering Wheel	mm	Φ180x50		
轮子材料 Material Of the Wheel		Nylon		
手柄高度 Height of handle from the ground	mm	1250	1250	1250
自重 Net Weight	kg	100	110	115

HAND-HYDRAULIC PALLET TRUCK - SPECIAL FORK SIZE PALLET TRUCK



技术参数 Specifications

技术参数 Specifications		
型号 Model		CBY-L
载重 Load Capacity	kg	2000/ 2500/3000
最低高度 Lowest Fork Height	mm	85
最大提升高度 Maximum Fork Height	mm	200
全宽度 Outside Fork Spread	mm	550/685
叉子长度 Length of the Fork	mm	1500/1800/2000/2500
叉子宽度 Width of the Fork	mm	160x50
前轮直径 Dia. Of the Front Wheel	mm	单 Single Φ80x93 / 双 double Φ80x70
后轮直径 Dia.Of the Steering Wheel	mm	Φ180x50
轮子材料 Material Of the Wheel		Nylon/Polyurethane/Rubber
手柄高度 Height of handle from the ground(H)	mm	1250
自重 Net Weight	kg	82 ~125

HAND-HYDRAULIC PALLET TRUCK - SPINDLE PALLET TRUCK



技术参数 Specifications

技术参数 Specifications				
型号 Model		CZ10A	CZ10B	CZ10C
载重 Load Capacity	kg	1000	1000	1000
最小直径 Least Steering Wheel	mm	Φ500	Φ700	Φ800
最大提升高度 Maximum Fork Height	mm		200	
全宽度 Outside Fork Spread	mm	860	990	1030
叉子宽度 Width of the Fork	mm		160x65	
前轮直径 Dia. Of the Front Wheel	mm		双 double Φ80x70	
后轮直径 Dia.Of the Steering Wheel	mm		Φ180x50	
轮子材料 Material Of the Wheel			Nylon	
最大提升高度 Maximum Fork Height	mm		200	
叉子长度 Length of the Fork	mm	2280	2280	2280
手柄高度 Height of handle from the ground	mm	1250	1250	1250
自重 Net Weight	kg		185	

HAND-HYDRAULIC PALLET TRUCK - 5T



技术参数 Specifications

技术参数 Specifications		
型号 Model		CBY-5T
载重 Load Capacity	kg	5000
最低高度 Lowest Fork Height	mm	85
最大提升高度 Maximum Fork Height	mm	200
全宽度 Outside Fork Spread	mm	550/685
叉子长度 Length of the Fork	mm	1150/1220/1500/1800/2000
叉子宽度 Width of the Fork	mm	160x65
前轮直径 Dia. Of the Front Wheel	mm	双 double Φ80x70
后轮直径 Dia.Of the Steering Wheel	mm	Φ180x50
轮子材料 Material Of the Wheel		Nylon
手柄高度 Height of handle from the ground(H)	mm	1250
自重 Net Weight	kg	136 ~175

HAND-HYDRAULIC PALLET TRUCK - NON STANDARD



技术参数 Specifications

技术参数 Specifications		
型号 Model		DB-2T
载重 Load Capacity	kg	2000
最低高度 Lowest Fork Height	mm	75
最大提升高度 Maximum Fork Height	mm	190
全宽度 Outside Fork Spread	mm	400/450/500
叉子长度 Length of the Fork	mm	900/1150/1220/1500/1800/2000
叉子宽度 Width of the Fork	mm	150x50
前轮直径 Dia. Of the Front Wheel	mm	双 double Φ80x70
后轮直径 Dia.Of the Steering Wheel	mm	Φ160x50
轮子材料 Material Of the Wheel		Nylon
手柄高度 Height of handle from the ground(H)	mm	1250
自重 Net Weight	kg	50~65

ELECTRIC LIFTING TABLE TRUCK DPS350/500



技术参数 Specifications

型号 Model	DPS350/500
载重 (kg) Load Capacity	350/ 500
最低高度 (mm) Lowest Height	350
最高高度 (mm) Max. Height	1300/1500
平台尺寸 (mm) Table Dimensions	900x500x50
手柄高度 (mm) Height of handle from the ground	980
电压 (V) Voltage	12
功率 (KW) Power	0.8
蓄电池 (AH) Battery	60
充电器输入电压 (V/A) Charger Input Voltage	220/10
自重 (kg) Net Weight	153
外包装尺寸 (mm) Packing Dimensions	1250x600x370
20' 集装箱装箱数 (pcs) Qty in one 20' Container	60

ELECTRIC LIFTING PLATFORM

SJG1 单叉固定平台
1000/2000/4000



SJG2 单叉固定平台
1000/2000



★ 台面下面配有安全装置，当平台下降时，遇到障碍物停止下降，保证作业人员安全。
There is a safety device under the table top. When the platform is lowered, the obstacles stop falling to make sure that the operator is safe.

技术参数 Specifications

型号 Model	SJG1			SJG2	
载重 (kg) Load Capacity	1000	2000	4000	1000	2000
最低高度 (mm) Lowest Height	205	230	240	305	360
最高高度 (mm) Max. Height	1000	1000	1050	1780	1780
台面尺寸 (mm) Table Dimensions	1300x850	1300x850	1700x1200	1300x850	1300x850
底座尺寸 (mm) Base Size	1250x785	1250x785	1600x900	1250x785	1250x785
电机参数 (V/HZ) Electrical Source Power	380/50	380/50	380/50	380/50	380/50
起升时间 (S) Rise Time	20~25	20~25	30~40	35~45	35~45

TF-15A/TF-15C TABLE TRUCK

技术参数 Specifications

型号 Model	TF-15A
载重 (kg) Load Capacity	150 / 330lb
最低高度 (mm) Lowest Height	220/260
最高高度 (mm) Max. Height	740
平台尺寸 (mm) Table Dimensions	700x450x36
手柄高度 (mm) Height of handle from the ground	800
自重 (kg) Net Weight	40/42
外包装尺寸 (mm) Packing Dimensions	800x460x230 800x460x270
20" 集装箱装箱数 (pcs) Qty in one 20' Container	224/196



TF-30A/TF-30B TABLE TRUCK

技术参数 Specifications

型号 Model	TF-30A
载重 (kg) Load Capacity	300 / 660lb
最低高度 (mm) Lowest Height	285
最高高度 (mm) Max. Height	900
平台尺寸 (mm) Table Dimensions	815x500x50
手柄高度 (mm) Height of handle from the ground	960
自重 (kg) Net Weight	68
外包装尺寸 (mm) Packing Dimensions	900x510x310
20" 集装箱装箱数 (pcs) Qty in one 20' Container	168



技术参数 Specifications

型号 Model	TF-15C
载重 (kg) Load Capacity	150 / 330lb
最低高度 (mm) Lowest Height	220/260
最高高度 (mm) Max. Height	740
平台尺寸 (mm) Table Dimensions	700x450x36
手柄高度 (mm) Height of handle from the ground	800
自重 (kg) Net Weight	40
外包装尺寸 (mm) Packing Dimensions	800x460x230 800x460x270
20" 集装箱装箱数 (pcs) Qty in one 20' Container	224/196



技术参数 Specifications

型号 Model	TF-30B
载重 (kg) Load Capacity	300 / 660lb
最低高度 (mm) Lowest Height	285
最高高度 (mm) Max. Height	900
平台尺寸 (mm) Table Dimensions	815x500x50
手柄高度 (mm) Height of handle from the ground	960
自重 (kg) Net Weight	70/77
外包装尺寸 (mm) Packing Dimensions	900x510x310
20" 集装箱装箱数 (pcs) Qty in one 20' Container	168

CAN CHOOSE COLOUR



TF-30DA LOW TABLE TRUCK/TF-50B TABLE TRUCK

技术参数 Specifications	
型号 Model	TF-30DA
载重 (kg) Load Capacity	300 / 660lb
最低高度 (mm) Lowest Height	125
最高高度 (mm) Max. Height	800
平台尺寸 (mm) Table Dimensions	950x560x50
手柄高度 (mm) Height of handle from the ground	980
自重 (kg) Net Weight	88
外包装尺寸 (mm) Packing Dimensions	1270x570x310
20" 集装箱装箱数 (pcs) Q' ty in one 20' Container	63



CE

TF-75/TF-100/TFD-35B TABLE TRUCK

技术参数 Specifications	
型号 Model	TF-75/100
载重 (kg) Load Capacity	10000/2200 lb
最低高度 (mm) Lowest Height	410
最高高度 (mm) Max. Height	1000
平台尺寸 (mm) Table Dimensions	1000x510x55
手柄高度 (mm) Height of handle from the ground	990
自重 (kg) Net Weight	110
外包装尺寸 (mm) Packing Dimensions	1180x530x430
20" 集装箱装箱数 (pcs) Q' ty in one 20' Container	90



CE

技术参数 Specifications	
型号 Model	TF-50B
载重 (kg) Load Capacity	500 / 1100lb
最低高度 (mm) Lowest Height	285
最高高度 (mm) Max. Height	900
平台尺寸 (mm) Table Dimensions	815x500x50
手柄高度 (mm) Height of handle from the ground	960
自重 (kg) Net Weight	74
外包装尺寸 (mm) Packing Dimensions	900x510x310
20" 集装箱装箱数 (pcs) Q' ty in one 20' Container	168



CE

技术参数 Specifications	
型号 Model	TFD-35B
载重 (kg) Load Capacity	350 / 770lb
最低高度 (mm) Lowest Height	360
最高高度 (mm) Max. Height	1300/1500
平台尺寸 (mm) Table Dimensions	900x500x50
手柄高度 (mm) Height of handle from the ground	960
自重 (kg) Net Weight	98
外包装尺寸 (mm) Packing Dimensions	1010x520x370
20" 集装箱装箱数 (pcs) Q' ty in one 20' Container	132



CE

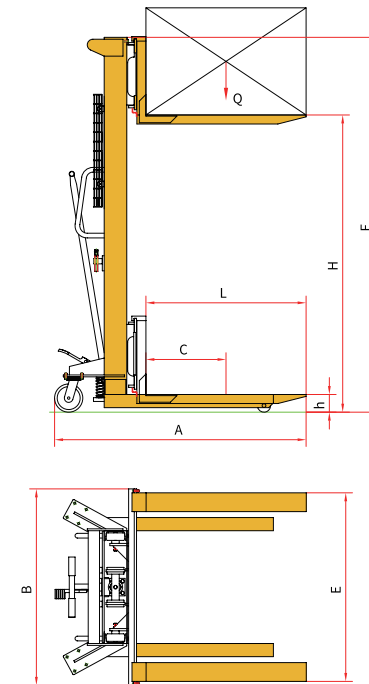
SEMI-ELECTRIC STACKER



技术参数 Specifications

规格 Type	JBTC
载重 Load Capacity	1000
最低高度 Lowest Height(mm)	85
最大提升高度 Total Lift Height(mm)	1600
载重中心 Load Centre(mm)	400
叉子长度 Length of the Fork(mm)	900
全长 Overall Length(mm)	1500
全宽 Overall Width(mm)	1000
全高 Overall Height(mm)	2010
蓄电池 Battery	12V/120
电机 Motor	12V/1.5KW
门架节数 Door Fork	1
充电器 Battery Charger	12V/15A
净重 Net Weight(kg)	270

HAND-HYDRAULIC STACKER



技术参数 Specifications

规格 Type	CTY-50	CTY-100/150	CTY-200
载重 Load Capacity(kg)/Q	500	1000/1500	2000
最低高度 Lowest Height(mm)/h	90	90	90
最大提升高度 Total Lift Height(mm)/H	1550	1550	1550
载重中心 Load Centre(mm)/C	400	500	500
叉子长度 Length of the Fork(mm)/L	820	900	900
叉子最高高度 Width of the Fork(mm)/E	780	980	980
全长 Overall Length(mm)/A	1350	1400	1400
全宽 Overall Length(mm)/B	800	1000	1000
全高 Overall Height(mm)/F	2050	2050	2050
前轮直径 Dia. of the Front Wheel(mm)	Φ70x50	Φ70x50	Φ70x50
大轮直径 Dia. of the Steering Wheel(mm)	Φ150	Φ150	Φ150
轮子材料 Material of the Wheel	Nylon	Nylon	Nylon
净重 Net Weight(kg)	150	200	230

ALL STACKERS SERIES-MANUAL



技术参数 Specifications

规格 Type	QS500
载重 Load Capacity	500
最低高度 Lowest Height(mm)	30
最大提升高度 Total Lift Height(mm)	1016
载重中心 Load Centre(mm)	400
叉子长度 Length of the Fork(mm)	915
全长 Overall Length(mm)	1322
全宽 Overall Width(mm)	820
全高 Overall Height(mm)	1415
前轮直径 Dia. of the Front Wheel(mm)	Φ80x30
20" 集装箱装箱数 (pcs)Q' ty in one 20' Container	28
40" 集装箱装箱数 (pcs)Q' ty in one 40' Container	56

PARTS

